

GAS SOLID TOP ON OPEN CUPBOARD

CODE
CR0995539

MODEL
D94/10CTG

SERIE
DIAMANTE90

Project:

Rev.:

Zone:

Location:



weinnovate cooking



GENERAL FEATURES

- As well as offering a vast range of solutions and 2 mm thick, 90 cm deep worktops with burners up to 10 kW, the series has all the power, robustness and functionality you need to work effectively.
- • AISI 304 stainless steel, Scotch Brite finish
- • Swing door with accessories for holding knives, ladles and bottles
- • Digital control panel with waterproof control knobs
- • Double doors: bottom or side hung
- • Functional side panels with up to 7 containers and holders
- • The modular range: 200-400-600-800-1200
- • Simple, functional coupling system
- • Also available in a plinth-mounted version
- • Wide range of accessories

TECHNICAL DATA

- GAS SOLID TOP ON OPEN CUPBOARD
- Outer casing and feet in stainless steel. Adjustable worktop height, ranging from 840 to 900 mm. Plate and central rings in cast iron. Steel burner controlled by thermocouple safety valve. Piezo electric lighter. Plate temperature regulation, ranging from 50° to 450°C. Thermocouple safety valve with pilot light
- IPX5 protection against water splashes.

GAS SOLID TOP ON OPEN CUPBOARD

CODE
CR0995539

MODEL
D94/10CTG

SERIE
DIAMANTE90

TECHNICAL INFORMATION

SPECIFICATIONS	DATA
CODE	CR0995539
DEFINITION	D94/10 CTG TUTTAPIASTRA G.VANO G.
MODEL	D94/10 CTG
SUPPLY	GAS
DEPTH	800 MM
WIDTH	900 MM
HEIGHT	870 MM
NET WEIGHT	124,800
VOLUME	0,626 M3
PACKAGING LENGTH	850,000
PACKAGING WIDTH	1020,000
PACKAGING HEIGHT	1150,000
PACKAGING VOLUME	1,010
PACKAGING GROSS WEIGHT	140,000
GAS TYPE	GPL 28-30/37 mbar
GAS POWER (G30/30 MBAR)	14,00 KW
GAS POWER (G25/25 MBAR)	13,50 KW
CERTIFIED MODEL	D94/10 CTG
CERTIFICATION NUMBER	CE-0085BS0154
POT GAS TOT / POT FRIGO2	14,00
CERTIFICATION	0085BS0154
CERTIFICATION BODY	0085
TYPE	A GIORNO
PRODUCT VARIANTS	SOLO PIASTRA TUTTAPIASTRA
NUMBER OF MODULES	1/1 MODULO

GAS SOLID TOP ON OPEN CUPBOARD

CODE
CR0995539

MODEL
D94/10CTG

SERIE
DIAMANTE90

ACCESSOIRES

CODE	MODEL	DESCRIPTION
CR0592799	NXZF8	FRONTAL PLINTH
CR0592830	NX9ZG	PLINTH JUNCTION
CR0592820	NX9ZL	LATERAL PLINTH
MA97432000	NXR	CASTORS KIT
MA97433000	NXRI	CASTORS KIT
CR0592940	NX9CAT	WATER TAP
CR0592690	NX9CAM	WATER TAP
CR0592869	CR0592869	KIT 4 FEET FOR CONCRETE PLINTH INSTALLATION
CR0593580	NX9PT	KIT 4 FEET FOR TOP VERSION
CR0592879	CR0592879	KIT ANTI-TIPPING FEET
CR0592399	NXTVT1	CLOSING PANEL FOR TECHNICAL SPACE
CR0592409	NXTVT2	CLOSING PANEL FOR TECHNICAL SPACE
PTD9DX	PTD9DX	SIDE DIAMANTE PANEL RIGHT
PTD9SX	PTD9SX	SIDE DIAMANTE PANEL LEFT
CMF0908	CMF0908	FRONTAL HANDRAIL
CMA1808	CMA1808	PERIMETRAL HANDRAIL

GAS SOLID TOP ON OPEN CUPBOARD

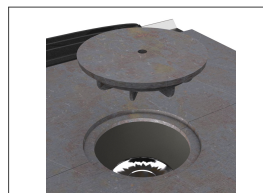
CODE
CR0995539

MODEL
D94/10CTG

SERIE
DIAMANTE90

we cook with
Diamante

Product's PLUS



Extra-thick top plate with removable middle ring.



Single high-efficiency middle burner providing different temperature zones on the hob with maximum heat in the centre and gradually decreasing temperatures when moving towards the edges.



Thanks to the IPX5 water jet ingress protection rating, awarded after passing specific tests, knobs and knob bezels can be washed at the end of the working day without affecting performance or safety.

GAS SOLID TOP ON OPEN CUPBOARD

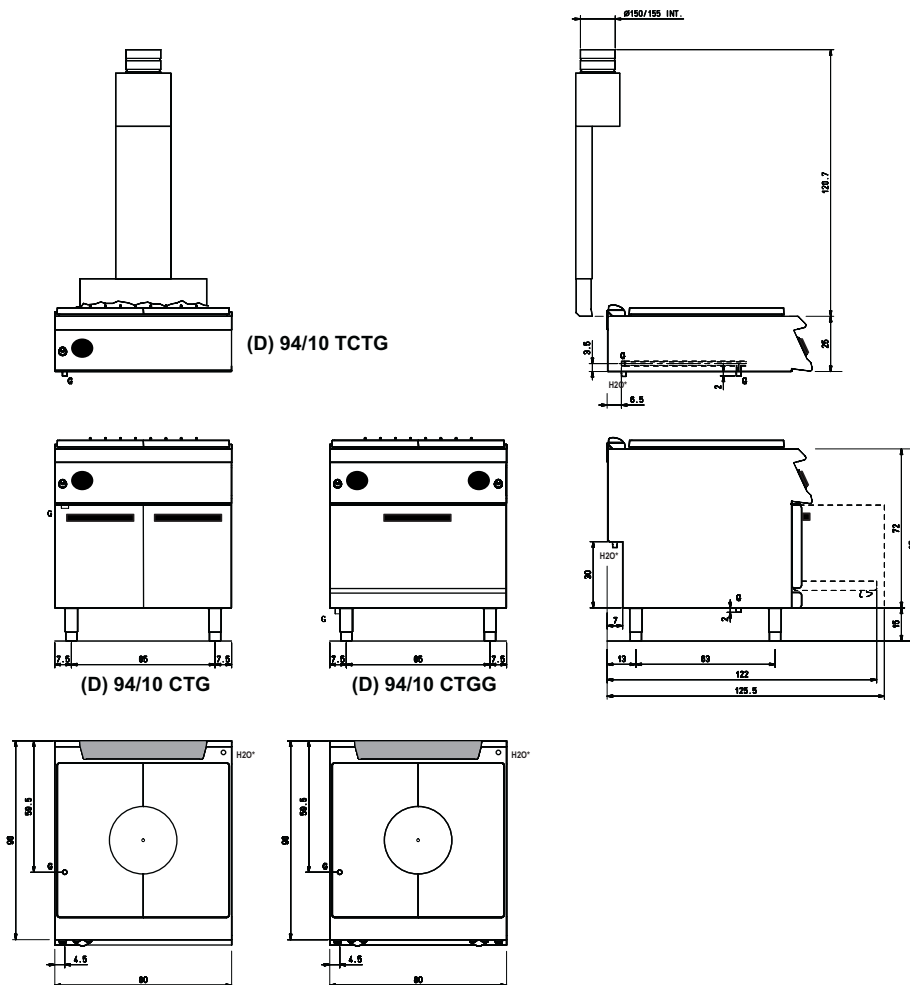
CODE
CR0995539

MODEL
D94/10CTG

SERIE
DIAMANTE90

SCHEMA DI INSTALLAZIONE - INSTALLATION DIAGRAM - INSTALLATIONSPLAN - SCHÉMA D'INSTALLATION - ESQUEMA DE INSTALACION -INSTALLATIESCHEMA - IINSTALLATIONSRITNINGAR

MISURE IN cm - DIMENSIONS IN cm - ABMESSUNGEN IN cm
MESURES EN cm - MEDIDAS EN cm - MATEN IN cm



Legenda - Legende - Key - Légende - Leyenda - Legend

- E** Pressacavo entrata linea elettrica - Stopfbuchse
Electric cable stress relief - Presse étoupe de câble él
Pisacable - Elektrische kabelwartel
- G** Attacco arrivo gas - Gasanschluss - Gas connection
Arrivée gaz - Union de gas - Gasaansluiting
EN 10226-1 R 1/2; EN ISO 228-1 G 1/2 (DK)
- H20*** Attacco arrivo acqua - Wasseranschluss - Water inlet
Arrivée eau - Union de agua - Wateraansluiting
EN ISO 228-1 G 3/4