

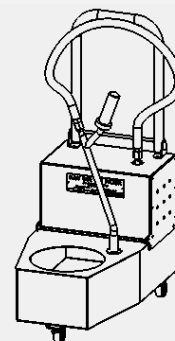
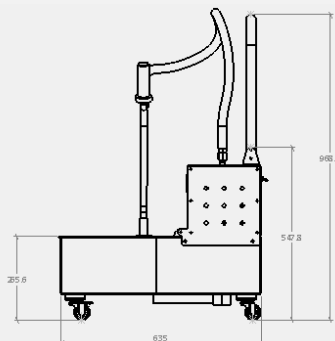
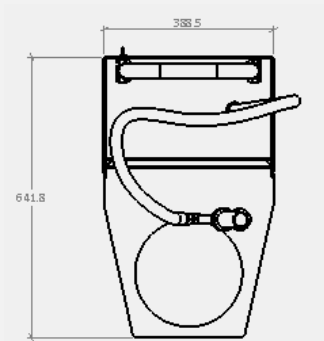


**AUSTRALIA'S BUSIEST KITCHENS
RELY ON COOKON.**



COOKON KAYBEE: KBC-1S
38L COMPACT OIL FILTER

The midsize oil capacity filter in the Kaybee range offering the ability to filter all brands of deep fryers on the market. It is recommended that your Kaybee filter has an oil capacity of at least 10 litres greater than the oil capacity of the fryer you are filtering. No manual handling of hot oil saves labour, cuts fryer vat cleaning to a matter of minutes. Filtering prolongs the life of your oil by at least 50%, effectively halving your oil costs via our two stage filtering process.



STANDARD FEATURURES

- Stainless Steel
38kg
- Filter Papers:
Approved Food Grade
Material
Conical 28cm
Round 41cm
- Swivel Casters: 3

SPECIFICATIONS

- Electric Motor & Pump**
1/3 – 1/2 HP
50 HZ
240 Volts
1475 rpm
Single Phase 10 amp

CAPACITY

38 Litres

CLEANING CAPACITY

- Roller Pump Capacity
16 litres per minute
- Max Speed 1475 rpm
- Max Temp 205 ° C

DIMENSIONS

- 390mm (W)
- 680mm (L)
- 600mm (H) with handle
down
- 870mm (H) with the
handle up, can be varied
on order.

< CONFIDENCE IN QUALITY >
3 YEAR WARRANTY

All our products carry a 3 year warranty and will last a very long time if our care and instructions are followed.
© Cookon is a member of the Langford Metal Industries Group, Queensland company established 1955.

