



**AUSTRALIA'S BUSIEST KITCHENS
RELY ON COOKON.**



COOKON GR6C SERIES

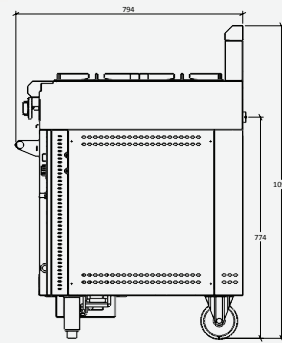
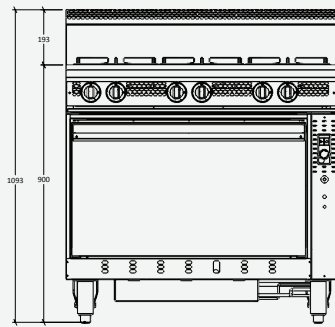
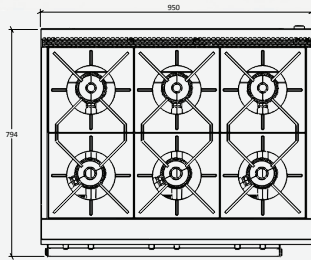
HEAVY DUTY GAS CONVECTION OVEN RANGE

The GR-6C series is a gas fired heavy duty convection gas oven range. The units' design allows for different cooking options to be incorporated on the top which gives you the option between:

- All open burners
- All griddle
- Flame failure to open burners
- Combination of open burners and griddle

AVAILABLE MODELS

- GR6C – 6 open burners
- GR6C-3G – 4 open burners and 300mm griddle
- GR6C-6G – 2 open burners and 600mm griddle
- GR6C-G – Full 900mm griddle
- GR6C-FF – 6 open burners with flame failure



STANDARD FEATURES

- All stainless steel external panels
- Heavy duty cast burners
- Heavy duty cast trivets
- Rear castors
- Adjustable front feet
- Heavy duty cantilever drop down door
- Chrome oven shelves and side racks
- Large sized oven cavity
- Auto oven fan cut off

OPTIONAL FEATURES

- Flame failure safety devices

Specifications are subject to change without notice.

SPECIFICATIONS

GAS TYPE

Natural or LPG
(Specify when ordering)

GAS CONNECTION

¾" (BSP) female. All units supplied with regulators

GAS RATINGS

- GR6C @ 138MJ/hr
- GR6C-3G @ 124MJ/hr
- GR6C-6G @ 110MJ/hr
- GR6C-G @ 96MJ/hr
- GR6C-FF @ 138MJ/hr

POWER SUPPLY 10A 240V

GLOBAL MARK APPROVAL NO
GA-102405-001

DIMENSIONS (MM)

Appliance: 950 x 795 x 1096
Oven Cavity: 710 x 545 x 420

GRIDDLE SURFACE COOKING AREA (MM)

- 300 Griddle: 290 x 490
- 600 Griddle: 590 x 490
- 900 Griddle: 890 x 490

GRIDDLE THICKNESS (MM): 12

< CONFIDENCE IN QUALITY >
3 YEAR WARRANTY

All our products carry a 3 year warranty and will last a very long time if our care instructions are followed.
© Cookon is a member of the Langford Metal Industries Group, a Queensland company established 1955.

