



**AUSTRALIA'S BUSIEST KITCHENS
RELY ON COOKON.**



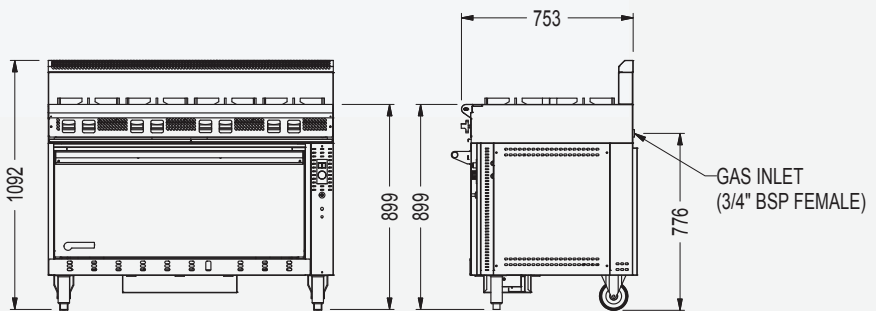
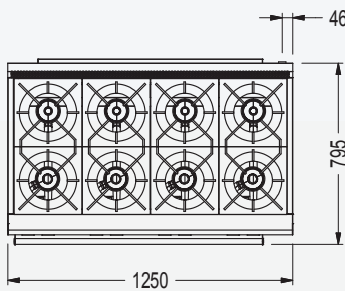
COOKON GR8 SERIES
HEAVY DUTY STATIC GAS OVEN RANGE

The GR-8 series is a gas fired heavy duty static gas oven range. The units' design allows for different cooking options to be incorporated on the top which gives you the option between:

- All open burners
- All griddle
- Flame failure to open burners
- Combination of open burners and griddle

AVAILABLE MODELS

- GR8 – 8 open burners
- GR8-3G – 6 open burners and 300mm griddle
- GR8-6G – 4 open burners and 600mm griddle
- GR8-9G – 2 open burners and 900mm griddle
- GR8-G – 2 x 600mm griddles
- GR8-FF – 8 open burners with flame failure



STANDARD FEATURES

- All stainless steel external panels
- Heavy duty cast burners
- Heavy duty cast trivets
- Rear castors
- Adjustable front feet
- Heavy duty cantilever drop down door
- Chrome oven shelves and side racks
- Large sized oven cavity

OPTIONAL FEATURES

- Flame failure safety devices

Specifications are subject to change without notice.

SPECIFICATIONS

GAS TYPE Natural or LPG (Specify when ordering)

GAS CONNECTION 3/4" (BSP) female. All units supplied with regulators

- GAS RATINGS**
- GR8 @ 186MJ/hr
 - GR8-3G @ 172MJ/hr
 - GR8-6G @ 158MJ/hr
 - GR8-9G @ 144MJ/hr
 - GR8-G @ 130MJ/hr
 - GR8-FF @ 186MJ/hr

GLOBAL MARK APPROVAL NO
GA-102405-001

DIMENSIONS (MM)

- Appliance: 1250 x 795 x 1096
- Oven Cavity: 970 x 595 x 420

GRIDDLE SURFACE COOKING AREA (MM)

- 300 Griddle: 290 x 490
- 600 Griddle: 590 x 490
- 900 Griddle: 890 x 490
- 1200 Griddle: 590 x 490 (2 of)

GRIDDLE THICKNESS (MM):
12

< CONFIDENCE IN QUALITY >
3 YEAR WARRANTY

All our products carry a 3 year warranty and will last a very long time if our care instructions are followed.
© Cookon is a member of the Langford Metal Industries Group, a Queensland company established 1955.

