

SB243 | 243kg Storage Bin

Ice Machines

SB243

**243KG STORAGE
BIN**

Stainless steel
internal and external
construction for
corrosion resistance
and simple cleaning

Insulated with
polyurethane to
slow melting and
maximise ice life

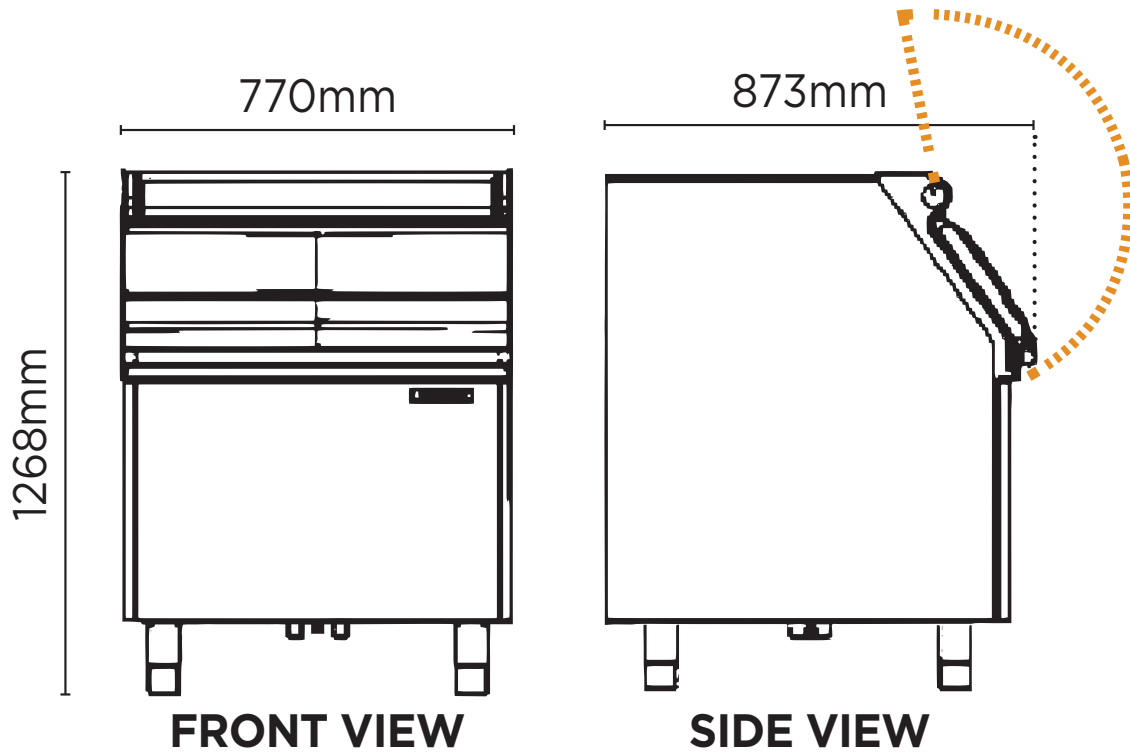


Agion®-treated materials
maintain hygiene with
antimicrobial technology



SB243 | 243kg Storage Bin

Ice Machines



SPECIFICATIONS

Model	SB243
Part Number	3935272
Storage Bin Capacity	243kg
Gross Weight	68kg
Liner Material	Stainless Steel
Warranty	3 Years Parts, 1 Year Labour
Warranty Service	Bromic Extra Care

DIMENSIONS

	External (mm)
Width	1235
Depth	865
Height	1268

* External height excludes feet
 * Production is based on kg/24hr at 10°C air & 10°C water

BROMIC PTY Ltd reserve the right to alter specifications without notice.